

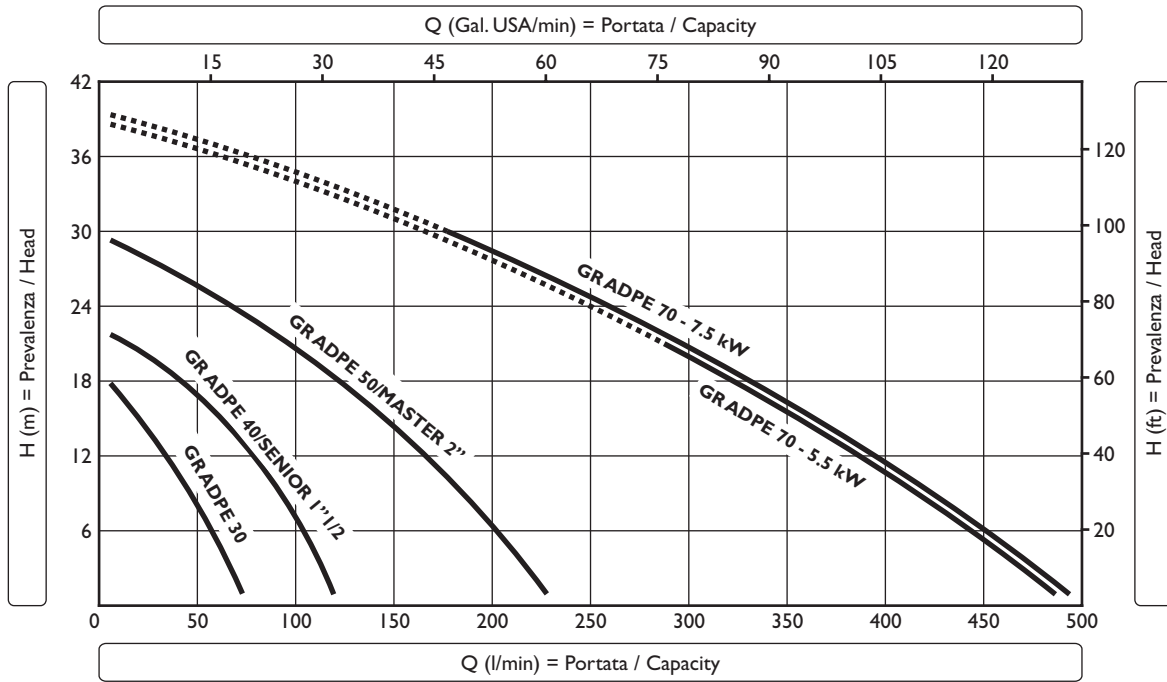
GRUPPI ANTIDEFLAGRANTI SENZA IMPIANTO ELETTRICO EXPLOSION PROOF GROUPS WITHOUT CONTROL PANELS



GRADPE NAUTIC



GRADPE SPECIAL

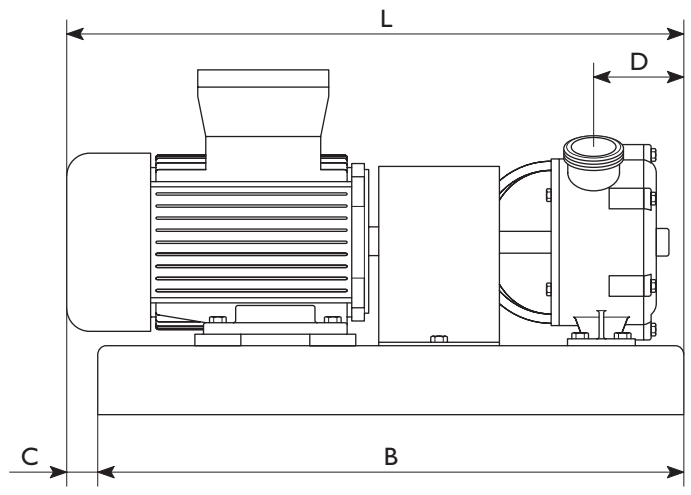
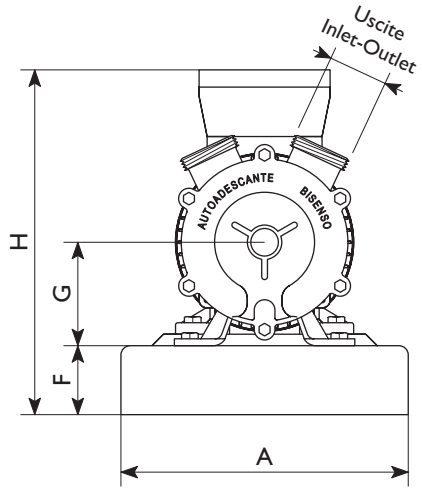


Tipo Type	Codice / Code		Peso Weight	Motore / Motor **				Giri/min Rpm	H (m) = Prevalenza / Head Q (l/min) = Portata / Capacity							
	su base on base	su carrello on trolley		Tipo Type	Volt	HP	kW		0	5	10	18	22	30	40	H
									Q	Q	Q	Q	Q	Q	Q	Q
GRADPE NAUTIC 30 Bronzo	51373028	51383028	39,5 kg	TF	230-400	1	0,75	1400	75	60	40	0				
GRADPE NAUTIC 40 Bronzo	51374028	51384028	40,2 kg	TF	230-400	1	0,75	1400	120	110	85	45	0			
GRADPE NAUTIC 50 Bronzo	51375028	51385028	49,0 kg	TF	230-400	2	1,5	1400	230	210	175	125	85	0		
GRADPE NAUTIC 70 Bronzo	51377028	51387028	110,0 kg	TF	230-400	7,5	5,5	1400	500	460	415	330	280	165	0	
	51377128	51387128	125,0 kg	TF	230-400	10	7,5	1400	500	460	415	330	280	165	0	
GRADPE SPECIAL 30 Bronzo	51353028	51363028	39,5 kg	TF	230-400	1	0,75	1400	75	60	40	0				
GRADPE SPECIAL 40 Bronzo	51354028	51364028	40,4 kg	TF	230-400	1	0,75	1400	120	110	85	45	0			
GRADPE SPECIAL 50 Bronzo	51355028	51365028	48,4 kg	TF	230-400	2	1,5	1400	230	210	175	125	85	0		
GRADPE SPECIAL SENIOR 1"1/2 Inox *	60374028	60384028	40,5 kg	TF	230-400	1	0,75	1400	120	110	85	45	0			
GRADPE SPECIAL MASTER 2" Inox *	60375028	60385028	48,5 kg	TF	230-400	2	1,5	1400	230	210	175	125	85	0		
GRADPE NAUTIC 70 Inox *	60377028	60387028	110,0 kg	TF	230-400	7,5	5,5	1400	500	460	415	330	280	165	0	
	60377128	60387128	125,0 kg	TF	230-400	10	7,5	1400	500	460	415	330	280	165	0	

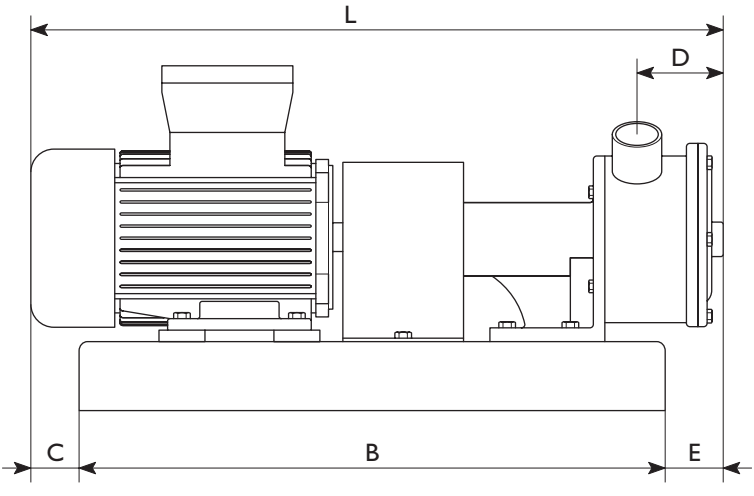
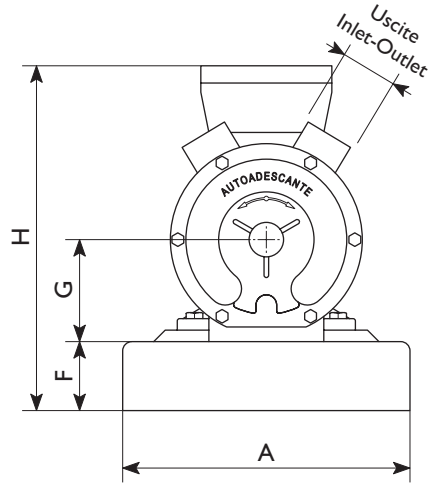
* = Con girante in Bronzo / With Bronze impeller

** TF = Trifase / Three Phase

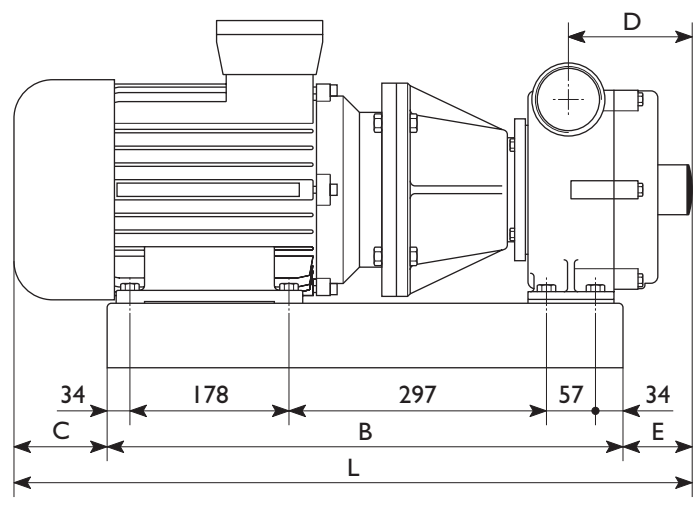
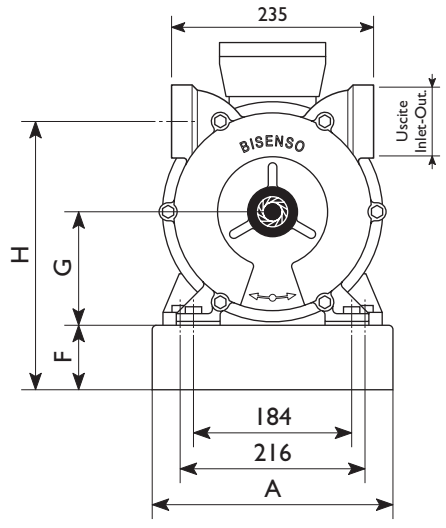
**GRADPE NAUTIC
30 - 40 - 50**



**GRADPE SPECIAL 30 - 40 - 50
SP.SENIOR 1" 1/2 - MASTER 2"**



**GRADPE NAUTIC
70 - 70 Inox**



Tipo Type	Uscite Inlet-Outlet	Raccordi Pipe fittings	Dimensioni (mm) / Dimensions (mm)								
			A	B	C	D	E	F	G	H	L
GR ADPE NAUTIC 30	BSP-M 1"1/4	Ø30 - Ø35	280	600	5	50	-	75	90	335	605
GR ADPE NAUTIC 40	BSP-M 1"1/2	Ø40 - Ø45	280	600	5	67	-	75	90	335	605
GR ADPE NAUTIC 50	BSP-M 2"	Ø50	280	600	50	90	-	75	120	350	650
GR ADPE NAUTIC 70	BSP-F 2"1/2	n.d.	280	600	109	144	76	75	132	235	785
GR ADPE SPECIAL 30	BSP-M 1"1/4	Ø30 - Ø35	280	600	5	50	-	75	89	335	605
GR ADPE SPECIAL 40	BSP-M 1"1/2	Ø40 - Ø45	280	600	5	67	-	75	89	335	605
GR ADPE SPECIAL 50	BSP-M 2"	Ø50	280	600	50	90	15	75	107	350	665
GR ADPE SPECIAL SENIOR 1"1/2	BSP-M 1"1/2 *	Ø40 **	280	600	5	76	-	75	89	335	605
GR ADPE SPECIAL MASTER 2"	BSP-M 2" *	Ø50 **	280	600	50	94	20	75	107	350	670
GRADPE NAUTIC 70 Inox	BSP-M 2"1/2 *	n.d.	280	600	109	144	76	75	132	235	785

* = Uscite standard BSP (Gas), altre uscite disponibili p.20 / Standard inlet-outlet BSP (Gas), different inlet-outlet are available see p.20

** = Raccordi in acciaio inox o nylon a richiesta / Stainless steel or nylon pipe fittings on request

n.d. = Raccordi non disponibili / Pipe fittings not available